



PRO ARMOR

INSTALLATION INSTRUCTIONS

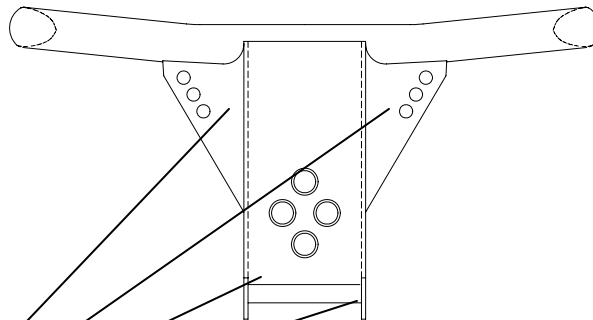
Polaris Predator

Front Bumper

P032040

1. Parts List:

Item	Part Name	Description	Qty
1	Front Bumper		1



TO INSTALL NEW FRONT BUMPER:
IF REQUIRED, REMOVE OLD FRONT BUMPER
AND OEM HARDWARE.

TO INSTALL NEW FRONT BUMPER:
ATTACH NEW FRONT BUMPER USING
OEM HARDWARE:

2. Maintenance: Periodically check and tighten hardware.

3. Care and Cleaning: Use Scotch Brite Pads to restore original line grain finish as required.

4. Customer Service: For further information call Pro Armor at 951-270-0559