



PRO ARMOR

INSTALLATION INSTRUCTIONS

Rear Skid Plate

Kawasaki KVF750-004

To avoid injury to yourself or damage to the ATV, please read and understand these instructions completely before proceeding with installation.

1. Parts List:

Item	Part Name	Description	Qty
1	K051123 Skid Plate	Skid Plate	1
2	Bolt, Hex Head	M8 x 1.25P x 20mm Long Gr.8.8	1
3	Bolt, Hex Head	M6 x 1.0P x 20mm Long Gr.8.8	2

FIG #1 ORIGINAL REAR SKID PLATE

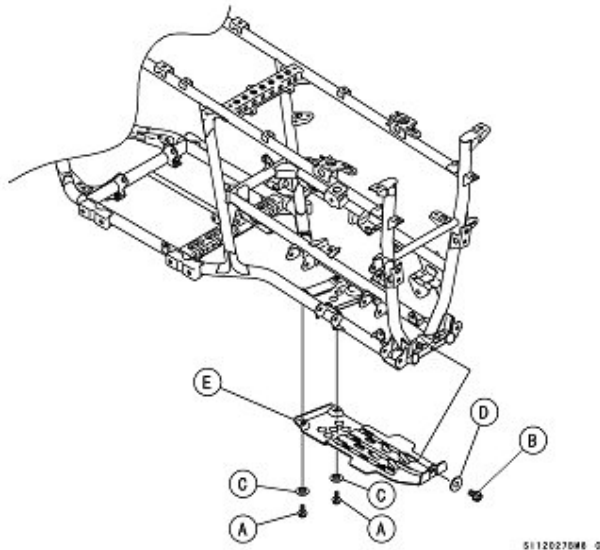
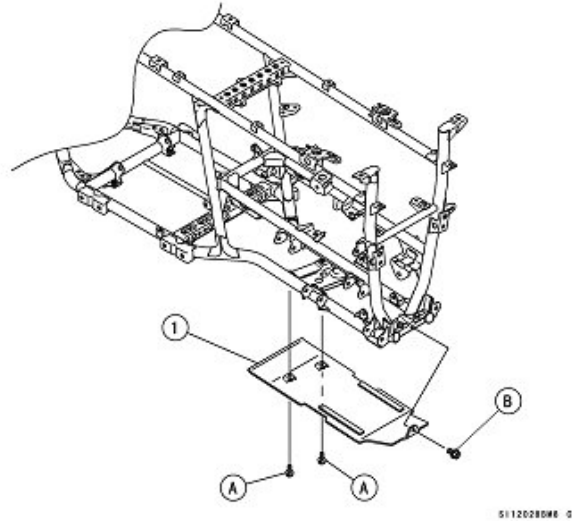


FIG #2 NEW REAR SKID PLATE



REFERENCE FIGURE #1

- 1) Remove and retain the two bolts (A) and one bolt (B)
- 2) Remove and discard two small collars (C) and one large collar (D)
- 3) Remove the OEM Rear Skid Plate (E)

REFERENCE FIGURE #2

- 1) Install the new Rear Skid Plate (1)
- 2) Loosely install the two bolts (A) and one bolt (B) retained above
- 3) Fully tighten all bolts

4. Maintenance: Periodically check all fasteners for tightness and re-torque as required.

Customer service: For further information call Pro Armor at 951-270-0559

K051123